



LCP45.1

Scope of delivery/ Lieferumfang/ Leveringsomvang/ Eléments livrés/ Ambito de aplicaci3n/ Medidas de fornecimento/ Consegn/ Levering/ Leveransinnehåll/ Levering/ Pakkauksen sisålt3/ Komplektis sisaldub/ Zakres doręczenia/ Obsah balení/ Szállítási/ Obseg dobave/ Dostava

<p>ITW Befestigungssysteme GmbH 30966 Hemmingen, Germany</p>	<p>PNEUMATIC COIL NAILER</p> <p>Model number: LCP45.1</p> <p>Euro code: 575898</p> <p>Trigger actuation: Sequential</p>	<p>NAIL SPECIFICATION</p> <p>CE</p> <p>575898</p>
	<p>NO AVAILABLE OR CHECK DATE SHEET ATTACHED ONLY</p>	

No.:575904



Model: LCP45.1
No.: 575898

<p>ITW Befestigungssysteme GmbH 30966 Hemmingen, Germany</p>	<p>PNEUMATIC COIL NAILER</p> <p>Model number: LCP45.1</p> <p>Euro code: 575910</p> <p>Trigger actuation: Contact</p>	<p>NAIL SPECIFICATION</p> <p>CE</p> <p>575910</p>
	<p>NO AVAILABLE OR CHECK DATE SHEET ATTACHED ONLY</p>	

No.: 575916



Model: LCP45.1
No.: 575910



No.: 575641

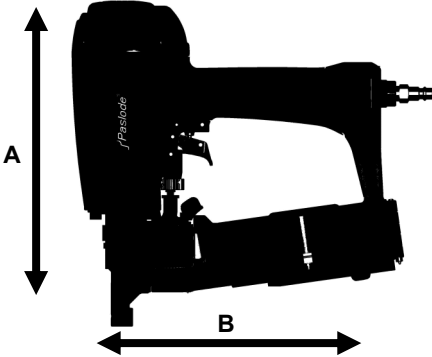


No. 575926	No. 035110	No. 576340		



Accessories/ Zubeh3r/ Accessoires/ Accessoires/ Accesorios/ Acess3rios/ Accessori/ Tilbeh3r/ Tillbeh3r/ Tilbeh3r/ Tarvikkeet/ Lisatarvikud/ Akcesoria/ P3rslušenství/T artoz3kek/ Dodatki/ Pribor



No. 505203	576487	No. 504979
Magazine insert	Hanger	0,5 l oil



Technical Specifications/ Technische Daten/ Technische specificaties/ Caractéristiques techniques/ Especificaciones técnicas/ Especificações técnicas/ Specifiche tecniche/ Teknisk specifikationer/ Techniska specifikationer/ Tekniske spesifikasjoner/ Tekniset tuotetiedot/ Tehniline spetsifikatsioon/ Opis techniczny/ Technická specifikace/ Műszaki adatok/ Tehnična specifikacija/ Tehnička specifikacija

- LCP 45.1 -

		<p>A = 293 mm B = 312 mm C = 151 mm</p>
		 <p>= 2.1 kg</p>

	<p>Min. 5,5 bar Max. 8,3 bar</p>
<p>1.4 L (6 bar) / </p>	
<p>Ps max. = 8,3 bar</p>	

 <small>EN 12549+EN ISO 4871</small>	<p>L WA.1s = 82.7 dBA L pA.1s = 72.3 dBA L pA.1s1m = 69.7 dBA</p>	
 <small>ISO 8662-11</small>	<p>Vibration</p>	<p>= 4.43 m/s²</p>

<p>150 x  = </p>		
<p>Use Paslode Nails only</p>		<p>D= max. 8mm d = 2,5 - 4,0mm L = 22 - 45 mm</p>

No.	Code	Name	No.	Code	Name
01	576342	CAP ASS.	42	576347	NOSE ASS.
02	617012	SCREW	43	576317	STOP LEVER
03	617013	FLAT WASHER	44	576318	FLAT SPRING
04	617014	EXHAUST COVER	45	576319	SPRING
05	617097	WASHER	46	576320	ACTUATOR
06	617017	SPACER	47	576321	INDICATOR
07	617018	PISTON STOP	48	576323	SPRING
08	617019	SPRING	49	617927	PIN
09	617021	O RING	50	617928	SCREW
10	617022	PISTON HEAD VALVE	51	617073	WASHER
11	617023	O RING	52	576325	STOPPER
12	617096	O RING	53	576326	SPRING
13	617024	COLLAR	54	617077	O RING
14	617025	CYLINDER CAP SEAL	55	576327	SPRING
15	576337	DRIVER ASS.	56	576328	LEVER
16	617026	O RING	57	617095	O RING
17	617441	CYLINDER ASS.	58	576329	FEED PAWL
18	617031	O RING	59	617081	PIN
19	617032	CYLINDER RING	60	576330	FEED PISTON
20	617033	O RING	61	617084	O RING
21	617029	O RING	62	617631	SPRING
22	617038	PIN	63	617085	FEED PISTON STOP
23	576311	BODY	64	617087	SPRING COLLAR
24	617034	O RING	65	617088	C RING
25	617037	PIN	66	576322	PU RING
26	617036	PIN	67	576331	CHECK PAWL
27	617039	GASKET	68	617058	RUBBER WASHER
28	576312	END CAP	69	576332	SPRING
29	617015	SCREW	70	576348	DOOR
30	617138	SCREW	71	576334	PIN
31	617057	LOCK NUT	72	576335	SLEEVE
32	617052	TRIGGER VALVE ASS.	73	617069	SPRING
33	617053	SPRING	74	617071	PIN
34	617054	SEQUENTIAL TRIGGER	75	617079	SCREW
34	575922	CONTACT TRIGGER	76	576349	MAGAZINE ASS.
35	576222	BUMPER	77	575904	MODEL LABEL SEQUENTIAL
36	617063	DEPTH OF DRIVE ASS.	77	575916	MODEL LABEL CONTACT
37	576345	UPPER WPC	78	617015	SCREW
38	617137	SCREW	79	576338	AIR PLUG
39	576314	SCREW	80	576350	SAFETY LEVER
40	576226	WASHER	81	576340	RUBBER PAD
41	576346	COVER	82	576341	SAFETY TIP ASS.

